



# San Diego Woodturners

A Chapter of the AAW

URL: <http://www.tridsd.com/sdwt.html>

P. O. Box 90133, San Diego, CA 92169

Volume 1999, Number 1

January 1999

## Christmas Past

### SHAVINGS

FROM THE PREZ



Welcome to a new year of woodturning. The "Year of the Novice" will now be "Year of the Novice - Part Deux". Our year was a good constructive approach to learning, given reactions from many of you. There is always new "stuff" to learn regardless of experience. The sharpening session coming up is one of those. Please follow the guidelines if you plan to participate.

We have an opportunity to conduct a joint exhibit with another



Wrapping up 1998, the San Diego Woodturners celebrated "Christmas in the Country" at the home of President Emeritus, Nan Bushley. An overflowing crowd gathered to share joy, exchange gifts and feast on a huge variety of foods. Our gracious host, Nan, had her shop all cleaned up, tables covered with festive table

cloth, welcomed everyone at the door and generally made everyone feel at home. woodturning group from Southern California. A forthcoming meeting will get the final details and conditions down. The exhibit will be at the Mingei Museum in Balboa Park. The details mentioned will set down some formal rules of participation and will be juried by a committee via slides. If you have some exceptional work that you would like to include, our Ernest Grabbe will have his photographic expertise available at the next several meetings. Ernest can photograph your work in slide form required for judging. I think that this exhibit can be considered "Big Time". The museum is highly respected, has wonderful contemporary works but has never shown "woodturning" as an art form. This is a special opportunity and definitely not a craft fair! We can start the qualification process at the next meeting on the 20th. Details to follow after a joint meeting this weekend. Stay tuned.

Oskar

cloths, welcomed everyone at the door and generally made everyone feel at home.



An hour or two of gossip, exchanging greetings and getting our pictures taken was followed by sampling of all the different types of food dishes brought by members. Everyone out did them selves this year and lots of food had to be taken back home. Despite the large number of partygoers, there was just too much food - and different kinds - to be eaten in one day. After everyone

See Christmas on page 4

## Board Members

### President

Oskar Kirsten (619) 274-3472

### Vice President

Jim Young (619) 566-8767

### Secretary

Ernest Grabbe (619) 748-4839

### Treasurer

John Pierce (760) 941-4281

### Mr. Do-It-All

Ed Ducharme (619) 448-9389

### Newsletter Editor

Ernest Grabbe (619) 748-4839

### Resources

Don Owen (619) 426-1457

### Video Librarian

Rudy Salvanera (619) 484-1851

### Programs

Don Kaufmann (619) 755-2007

### Photographer

Ellen Nielsen-Grabbe (619) 748-4839

### President Emeritus

Nan Bushley (760) 728-0591

### Members at Large

Ken Roth (619) 487-4814

Tom Cummings (760) 745-2769

Rudy Salvanera (619) 484-1851

Herb Hotaling (619) 487-3183

Russell Duff (619) 270-8884

# JANUARY MEETING

As a follow up to our discussion and short demonstrations of sharpening your tools last June, this meeting will be devoted to hands on, member participation of sharpening your tools. Various members will be bringing their sharpening jigs, i.e. - One Way's Wolverine jig, Glaser's jig, "Santa Klaus" knife sharpening system and several others. Each jig will be demonstrated briefly and then a sharpening workshop will get under way. During the workshop, each member will have a chance to try out the different types of sharpening jigs and methods under the direction of the demonstrator.

If you have been thinking about purchasing a new sharpening jig or sys-

tem, this will give you the opportunity for a hands on trial of the system before purchasing. There will also be several special grinds demonstrated and an opportunity for you to try the grind yourself.

Please try to restrict yourself to bringing only two or three tools to be sharpened so everyone will have a chance to try each type of sharpening jig or system. The "Santa Klaus" knife sharpening system will put a razor sharp edge on any knife within a couple of minutes. So if you have an old knife laying around that you think will really test this system, bring it along and get it sharpened also.

## Mingei Museum Show

In the "Shavings from the Prez" article in this newsletter, Oskar mentioned that we have been invited to participate in a show at the Mingei Museum in Balboa Park. We have been invited to participate by the Inland Woodturners who had been invited by the Museum. As mentioned, we do not have details on the show yet - dates, time, etc. - but we do know it is going to be a juried show.

Oskar wanted us ready to start photographing work at the January meeting, but we will not be able to do so. The time to set up and properly photograph your work will not be available during a short meeting. We feel it would be better to photograph the work in more controlled conditions and with more time available. If you want or need to have your work photographed, please give us (Ernest or Ellen) a call at (619) 748-4839 to make arrangements.

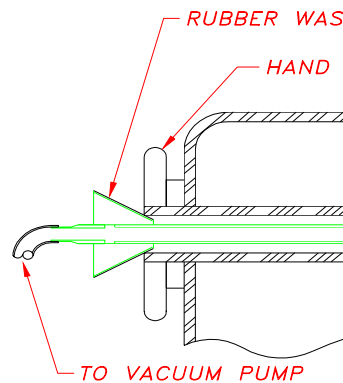
## DIRECTORY PHOTOS

This year we are publishing a photo directory of our membership. We are trying to get a photograph of every member for the directory to be published in February. We took photos of the member attending the Christmas Party and a few others during the year. We have about fifty photos, or about one-third of the membership, photographed. We are working on the remainder.

We will be set up to take photographs at the January meeting at Cut and Dried Hardwood in Solana Beach. This is a large undertaking and we need your cooperation! If you have not had your photo taken, please take the time to come to the meeting and get it done. We will try to be set up a few minutes before the meeting to speed things along.

**NEXT MEETING**  
**Wednesday 7:00 PM**  
**Jan 20, 1999**  
**CUT & DRIED**  
**HARDWOOD**

# VACUUM CHUCKING with CHUCK LUEBBERS

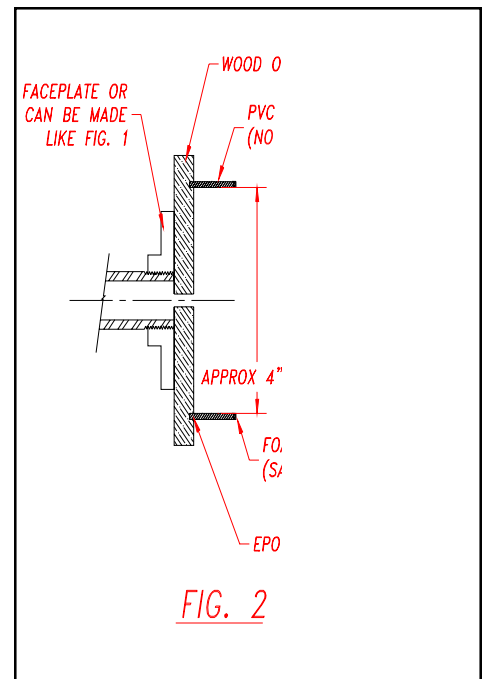
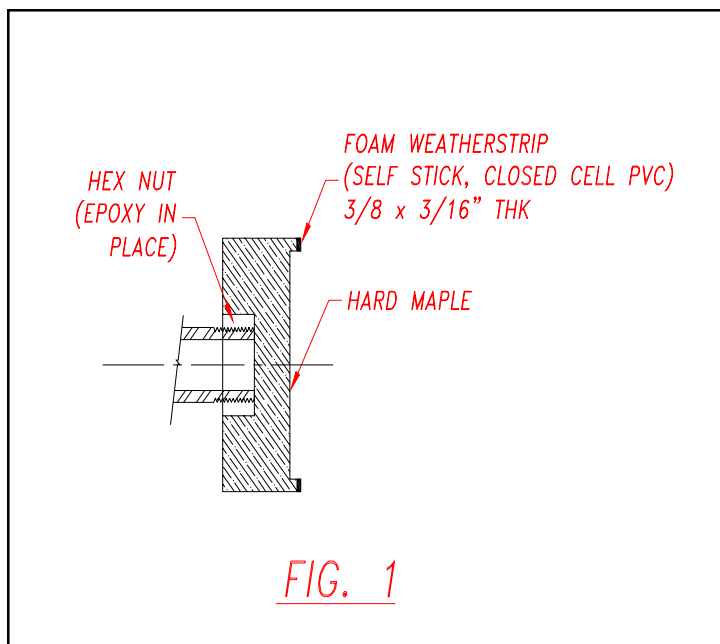


## VACUUM SETUP

Several years ago an article was published relating to using vacuum for holding work on the lathe. The article suggested a home made type of device attached to the lathe, and a vacuum pump off a refrigerator. Well, Ed Ducharme and yours truly played for about a month without much success. Since having worked with high vacuum in the aerospace field, I decided that the only way to go was to buy a small commercial pump, and get serious.

The above sketch is a cross section through the head of a typical lathe. Mine happens to be a Delta. The main part is the E-Z VACUUM CHUCK which can be purchased from Packard Woodworks. It is shown on page 15 of their summer catalog. The left hand end (conical configuration) houses a sealed bearing that rotates while the lathe is in operation. To prevent the aluminum conical part from

being damaged when tightened in the lathe, I cut a rubber disc and when used as shown, prevents damage. The right hand end fits into the Morse taper and bottoms out on the shoulder.



washer that is shown on the right hand end. Using Figure 1 as an example, when this is attached to the lathe the end of the hex nut will seal against the washer. Screw threads will not seal in vacuum use.

Most of the vacuum chucks that I

Figures 1 and 2 are a couple of the accessories that I have made. One is the most important parts to use is the teflon

**Christmas cont'd from page 1**

was stuffed to the gills, gifts were exchanged via a drawing.



A great time was had by all. We wish to give Nan a great big THANK YOU for having us into her home during this holiday season.

**Luebbers, Cont'd from page 3**

use I make. For instance, Figure 1 cast about \$1 to make, and is very effective. I use this to hold thin pieces of wood when making small mirrors for ladies purses, etc. This fixture is 3 inches in diameter and holds very well. Figure 2 is used to turn the bottom of bowls or platters. The PVC is a coupler that is purchased from a hardware store, (plumbing department). Here again the foam weatherstripping is used, and creates a very effective seal. Note that the end of the PVC has been rounded. That is so no matter what the bottom shape of the bowl, it will seal.

The vacuum pump that I have pulls approximately 24 inches of mercury. It is important to put a vacuum gage on the pump so that while turning, by glancing at the gage you can tell if you are losing vacuum due to getting too thin at the bottom, or if there is a slight crack in the wood, or maybe a connection is loose. Generally the holding diameter should not be less than 3 inches. It is not the vacuum that is holding the work piece onto the fixture, but rather the external atmospheric pressure that is holding it in place.

The following is how to calculate the external force. Lets take Figure 1

for example. The diameter of the maple block is 3 inches. Calculate the area of the diameter and times that by 14.7 psi (pounds per square inch) atmospheric pressure.

Formula: Area of a circle =  $\pi r^2$   
 $(= 3.14$   
 $r = \text{the radius of the}$   
 circle  $(3" \text{ divided by } 2) = 1.5 \text{ inches}$   
 $r^2 = 1.5 \times 1.5 =$   
 2.25 square inches

Force holding wood to fixture is:  
 Area =  $3.14 \times 2.25$   
 = 7.07 square inches  
 Force =  $7.07 \times 14.7$   
 = 104 pounds of force due to atmospheric pressure

If anyone is interested in using vacuum on their lathe, please call me at (619) 262-8522, and we can make arrangements for you to come to my shop for a discussion and demo.

## *Liquidamber styraciflua*

The photo below is a Liquidamber tree, also known as Sweet Gum or American Red Gum. This is a favorite local wood of many of the San Diego Woodturners. The leaves turn a bright red around Christmas time making it a favorite for colorful landscaping in the San Diego area.



**1999  
MEMBERSHIPS  
ARE AVAILABLE NOW  
ONLY \$25.00**

**RENEW EARLY AND  
BEAT THE CROWD**

**SEE JOHN  
PIERCE**

**For Sale  
Cyanoacrylate Glue (CA)**

Six (6) Minute Epoxy

CA Glue \$5.00  
Six (6) Min Epoxy \$7.00

See **Russel Duff** at the meeting or  
call (619) 270-8884

**HELP  
WANTED!**

**YOUR NEWSLETTER  
EDITOR NEEDS HELP!**

**WE NEED HELP WRITING  
ARTICLES, FOLDING,  
LABELING AND MAILING.**

**IF YOU WOULD LIKE TO  
HELP MAKE THIS THE  
BEST NEWSLETTER IN  
THE AAW, PLEASE CALL  
(619) 748-4839**

**For Sale**

**AH-5 Replacement Filters \$15**  
for the white colored hood  
top replacement air filter

**Pre-Filters \$2.50**

Will also have Glaser tools at  
the meeting or call and place your  
order

**Jim Young (619) 566-8767**

**For Sale**

**Klingspor Sanding Pads/Disks**

**FLEXIPADS (Arbors)**

2" at \$ 8.25 (\$8.95 + Post in cat.)

3" at \$ 9.25 (\$9.95 + Post in cat.)

**Sanding Disks (Kling-on)**

2" at 0.12 ea (25 or 50 in a box)

3" at 0.18 ea (25 or 50 in a box)

See **Ken Roth** at the meeting or  
call (619) 487-4814

**RESOURCES AND DISCOUNTS**

**Cut & Dried Hardwoods**

241 South Cedros Avenue  
Solana Beach, CA 92075  
(619) 481-0442

**Tropical Exotic Hardwoods**

Behind 2579 State Street  
Carlsbad, CA 92008  
(760) 434-3030

**The Woodworkers Store**

8199 Clairemont Mesa Blvd.  
San Diego, CA 92111  
(619) 268-1005

**Pop's Shp - Used Tools**

2901 S. Santa Fe Road, #A4  
Vista, CA 92083  
(760) 727-5033

**Tool Depot**

3555 Rosecrans Street  
San Diego, CA 92110  
(619) 222-6611

**Hardwood & Hardware Co.**

5673 Kearney Villa Road  
San Diego, CA 92123

**North County Tools**

955-A Rancheros Drive  
San Marcos, CA 92069  
(760) 743-2004

**Enviro-Safety Products**

21344 Avenue 332  
Woodlake, CA  
(800) 637-6606

**Woodworker West.**

P. O. Box 66751  
Los Angeles, CA 90066  
(310) 398-5931



## San Diego Woodturners

A Chapter of the AAW

P. O. Box 90133

San Diego, CA 92169



*Silkly Oak Vessel by Ken Roth*